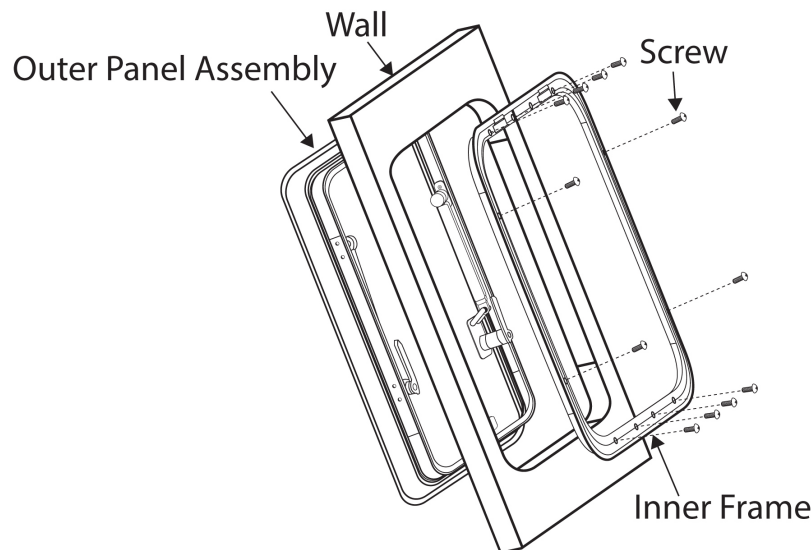


Awning Window Wall Thickness Overview

When planning your Arctic Tern window installation, it's important to determine your wall thickness. That measurement takes into account your entire wall, including the outer wall material (typically sheet metal, composite, fiberglass), any internal framing, insulation, and the finished interior wall surface material.



We use an inner frame ring system, which can accommodate the following wall thicknesses:

- 24-34mm (15/16"-1 3/8" / .94"-1.34")
- 35-44mm (1 3/8"-1 3/4" / 1.34"-1.73")
- 45-54mm (1 3/4"- 2 1/8" / 1.73"-2.13")
- 64-74mm (2 1/2"- 2 9/32" / 2.51"-2.91")

The minimum thickness required to install an Arctic Tern awning window is 24mm (15/16"). If your wall thickness is less than 24mm (15/16"), we recommend fabricating a spacer frame out of metal or hardwood to achieve that minimum. Please see our window installation guide for more information:

<https://ternoverland.com/content/Window%20Installation%20Guide.pdf>

Please note there is a gap in coverage between 54mm (2.13") and 64mm (2.51"). If your wall falls within that gap, it would be necessary to fabricate a spacer to bring the wall thickness into the 64-74mm range.

Be sure to specify the correct wall thickness when placing your order. If you have questions, we're here to help. Please reach out to us using the contact information at the link below:

<https://ternoverland.com/contact-us>